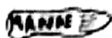


SITE CODE: MZ	DATE OPENED: 3 July 2018	SU No: 20020	MARZUOLO ARCHAEOLOGICAL PROJECT 
	DATE CLOSED:		
	INITIAL: WL	AREA No: 20000	

FORMATION PROCESS:	DEFINITION: brick column aligned w/ 20019 + 20017
ANTHROPIC <input checked="" type="checkbox"/> NATURAL <input type="checkbox"/>	SU TYPE: <input type="checkbox"/> DEPOSIT <input type="checkbox"/> CUT <input checked="" type="checkbox"/> STRUCTURAL
	DISTINGUISHED BY: <input checked="" type="checkbox"/> COLOUR <input checked="" type="checkbox"/> COMPACTION <input type="checkbox"/> COMPOSITION

DEPOSIT: 1. Composition (sand/silt/clay) 2. Compaction 3. Colour 4. Clarity of Limits (clear/not clear/exc. lim. for N/S/W/E/depth) 5. Dimensions 6. Method & Conditions	STRUCTURAL: 1. Type (wall, cistern, etc.) 2. Orientation 3. Technique (pisé, ashlar, etc.) 4. Bonding Material 5. # of Coursings 6. Facing/Finish (plaster, etc.) 7. Dimensions 8. Related architectural features	DESCRIPTION: 1. brick column 2. N-S 3. brick and mortar 4. mortar (white-gray) 5. 2" 6. none 7. 35cm in diameter; 6cm in height to exc. limit 8. 20058 - relationship unclear - binds to? abuts? abutted by?
---	--	---

OTHER OBSERVATIONS/COMMENTS:
 Brick column built into wall 20058 (or wall built around column?); similar to column found by RPP in 10000 to SW.
 Brick stamp found on piece of tile in column, indicating reuse of roof tiles for columns construction

MATRIX:

		20005		
		20020	This context	

STRATIGRAPHIC RELATIONSHIPS:	FILLS:
CUT:	BUTTED BY: 20021 and 20008 and 20010
CUT BY:	COVERS:
ABUTS:	COVERED BY: 20005
	EQUAL TO:
	BINDS TO:

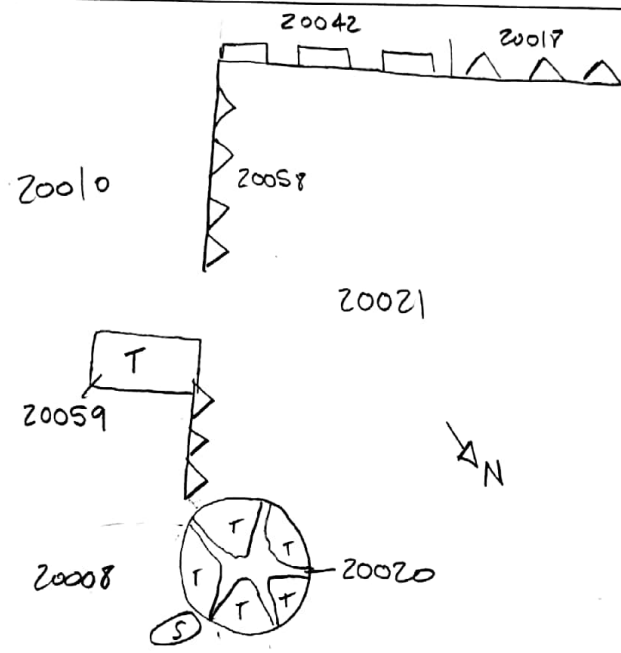
ENVIRONMENTAL SAMPLES TAKEN: POLLEN SOIL CHARCOAL OTHER
 (specify): _____

SPECIAL FINDS N^os:

INCLUSIONS: (check all that apply):
 MORTAR: F M R BONE: F M R BRICK/TILE: F M R
 METAL: F M R SLAG: F M R CHARG.: F M R WRKD STONE: F M R
 DAUB: F M R GLASS: F M R POTTERY: F M R UNWRKD STONE: F M R
 OTHER:

PHOTO N^os 100-0698-0699
 100-0747-0750 **PHOTO MODEL N^os**

SKETCH OF PLAN **INCLUDE:** 1. North arrow; 2. Dimensions; 3. Sample locations (if relevant); 4. Levels; 5. Grid pts (if relevant); 6. Rise/Drop in surface level; 7. Abutting architecture/Adjacent or relevant nearby features for reference; 8. All SU N^os



FIELD NOTEBOOK DRAWINGS - PAGE N^os	P. 8	SECTION DRAWING N^os	
STRATIGRAPHIC RELIABILITY	HIGH 5 4 3 (2) 1 LOW	APPROX. DATE OF LAYER	
CONFIDENCE IN INTERPRETATION	(5) 4 3 2 1	DATABLE MATERIALS	
CONTAMINATION RISK	5 (4) 3 2 1		

INTERPRETATION:
 Brick column - end of wall? OR re-used in later phase?

ENTERED INTO DATABASE **INITIALS:** *AN* **DATE:** 21 July 2018