


SITE CODE: MZ	DATE OPENED: 6 July 2018	SU No: 20029	MARZUOLO ARCHAEOLOGICAL PROJECT 
	DATE CLOSED: 10 July 2018	AREA No: 20000 TR2	
	INITIAL: NA		

FORMATION PROCESS: ANTHROPIC <input type="checkbox"/> NATURAL <input checked="" type="checkbox"/>	DEFINITION: Brown deposit covering 20030
	SU TYPE: <input checked="" type="checkbox"/> DEPOSIT <input type="checkbox"/> CUT <input type="checkbox"/> STRUCTURAL
	DISTINGUISHED BY: <input type="checkbox"/> COLOUR <input type="checkbox"/> COMPACTION <input checked="" type="checkbox"/> COMPOSITION

DEPOSIT: 1. Composition (sand/silt/clay) 2. Compaction 3. Colour 4. Clarity of Limits (clear/not clear/exc. lim. for N/S/W/E/depth) 5. Dimensions 6. Method & Conditions	STRUCTURAL: 1. Type (wall, cistern, etc.) 2. Orientation 3. Technique (pisé, ashlar, etc.) 4. Bonding Material 5. # of Coursings 6. Facing/Finish (plaster, etc.) 7. Dimensions 8. Related architectural features	DESCRIPTION: 1. clay-silt 2. lightly compacted, easy to pick but slightly brown 3. medium brown 4. clear on wall, other 3 sides are fairly well 5. 180 x 230 M 6. pile are a drowel, sunny spot, covered
		CUT: 1. Shape in Plan 2. Top - BOS 3. Base - BOS 4. Sides 5. Orientation 6. Dimensions

OTHER OBSERVATIONS/COMMENTS:

- as 20029 was being taken off, a wall became visible. As we went further down we saw a cut, which was sunken in some places, suggesting a potential drain
- fewer pottery inclusions, bone, and occasional glass found

MATRIX:

	20018	20025		
		20029	This context	
20035	20033	20030	20038	20034 20031, 20032

STRATIGRAPHIC RELATIONSHIPS:		FILLS:
CUT:	BUTTED BY:	FILLED BY:
CUT BY:	COVERS: 20030, 31, 32, 33, 34, 38, 35	EQUAL TO:
ABUTS: 20018	COVERED BY: 20025	BINDS TO:

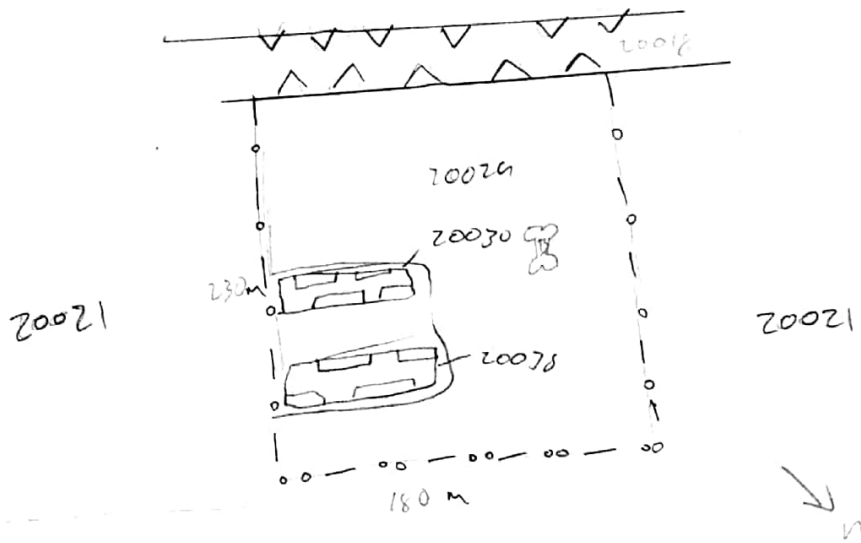
ENVIRONMENTAL SAMPLES TAKEN: POLLEN SOIL CHARCOAL OTHER (specify): _____

SPECIAL FINDS N°s: 70-40

INCLUSIONS: (check all that apply):
 MORTAR: F M R
 METAL: F M R
 DAUB: F M R
 OTHER:
 BONE: F M R
 SLAG: F M R
 GLASS: F M R
 POTTERY: F M R
 BRICK/TILE: F M R
 WRKD STONE: F M R
 UNWRKD STONE: F M R

PHOTO N°s 100-0738 **PHOTO MODEL N°s**

SKETCH OF PLAN INCLUDE: 1. North arrow; 2. Dimensions; 3. Sample locations (if relevant); 4. Levels; 5. Grid pts (if relevant); 6. Rise/Drop in surface level; 7. Abutting architecture/Adjacent or relevant nearby features for reference; 8. All SU N°s



FIELD NOTEBOOK DRAWINGS - PAGE N°s	p 17 p 19					SECTION DRAWING N°s	
STRATIGRAPHIC RELIABILITY	HIGH	5	4	3	2	1	APPROX. DATE OF LAYER
CONFIDENCE IN INTERPRETATION	LOW	5	4	3	2	1	DATABLE MATERIALS
CONTAMINATION RISK		5	4	3	2	1	

INTERPRETATION:
 Deposit covers drain 20031 (filled by 20032) and drain 20030 = 20038.
 Not significantly different from 20025 above, but large bone found on surface, suggesting this was a frequentation level in a later phase of use of the site. Drain 20030 = 20038 out of use in this period.

ENTERED INTO DATABASE INITIALS: NA **DATE:** 21 July 2018